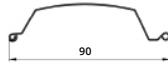
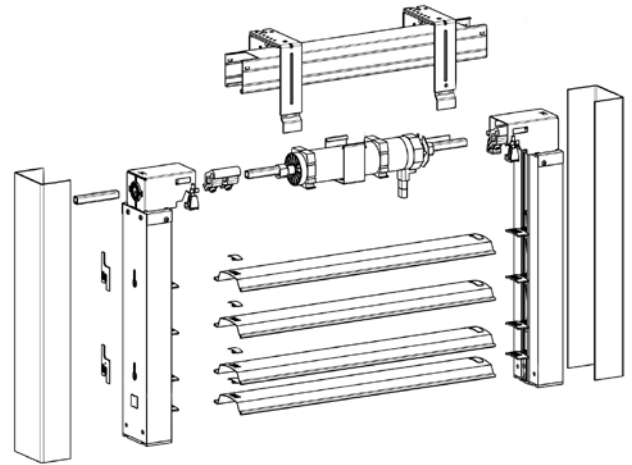
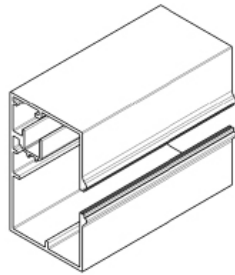
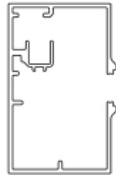
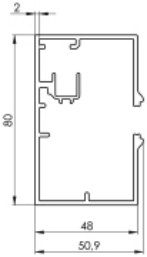


# Technical characteristics | Aluminium blinds Security 90

## Security 90 lamella



## Security 90 Guiding channel



Automatic control

Model	Minimum width	Minimum height	Maximum width	Maximum height	Maximum area
Security 90	600 mm	500 mm	2800 mm	4000 mm	8 sq.m

## Model

Security 90

## Head Rail

Fe, 56 mm x 58 mm

## Lamella

Al, 90 mm x 0,60 mm x 122.80 mm

## Standart colours RAL

