

Technical characteristics | GUILLOTINE THERMO



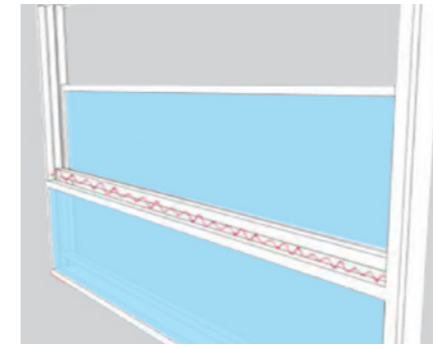
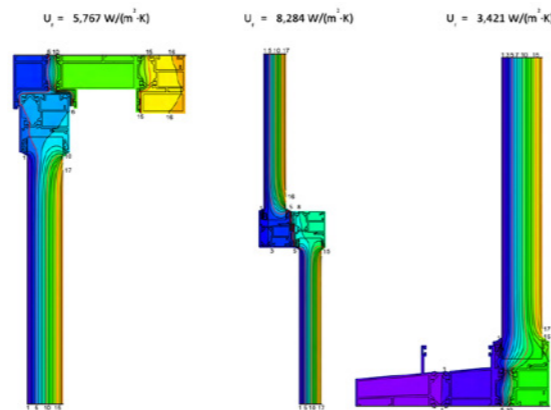
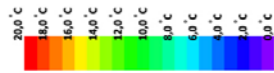
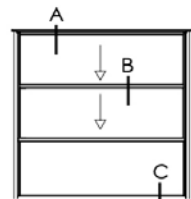
Thermally insulated aluminum profiles and tempered glass glazing

Thermal efficiency values

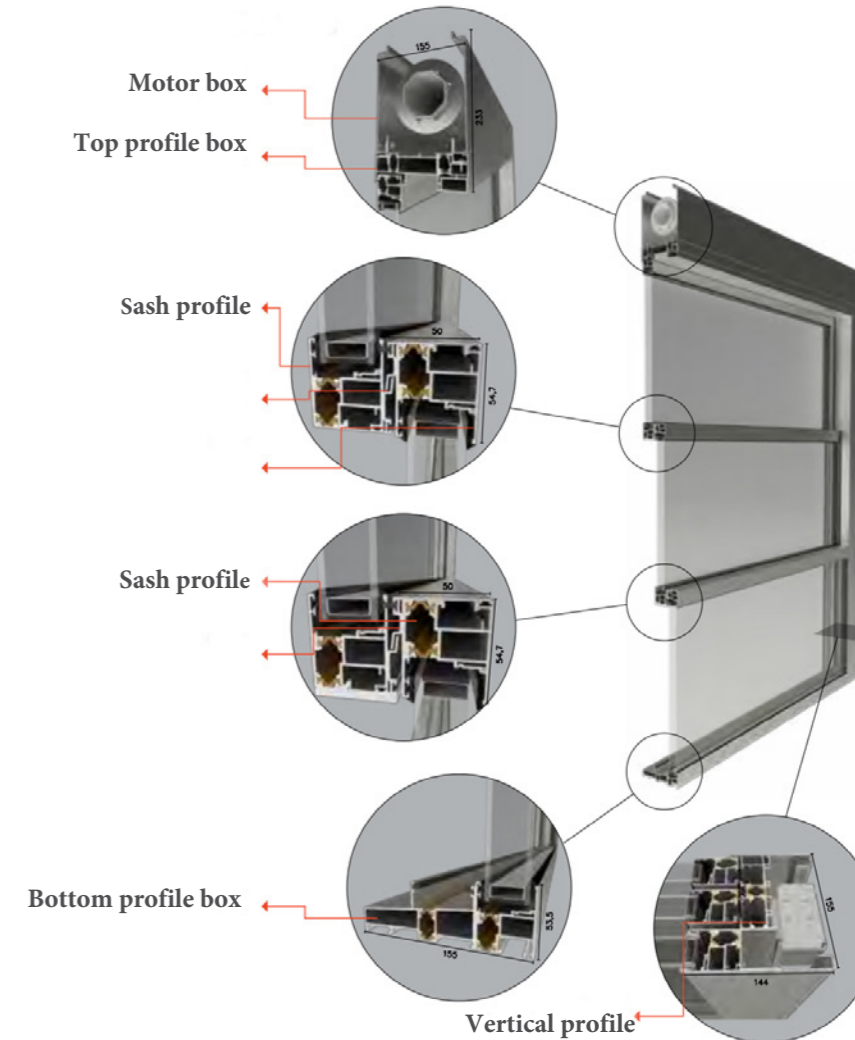
European standard EN 10077-2 describes a method and gives recommended output data for calculating the heat transfer of frame profiles and the linear heat transfer of their joints with glazed or non-transparent panels. This European Standard does not include the influence of solar radiation, heat transfer caused by the passage of air or three-dimensional heat transfer, as well as for bolted joints. The effect of thermal bridges between the frame and the building structure is also not included.

According to standard EN 10077-2, calculations are carried out with the following assumptions:

- the internal temperature 20 ° C
- the outside temperature 0 ° C
- relative humidity 50%.



Safe use with a safety photocell



Profile

